

General Terms & Conditions

Prices

Prices are subject to change without any prior notice and will be applicable as prevailing at the time of dispatch. Further prices are ex-works basis.

Taxes

The prices are exclusive of Central Sales Tax against applicable Concessional Sales Tax forms, VAT / Local Tax and other levies, which will be charged extra, as applicable, at the time of dispatch.

Duties

The prices listed are inclusive of Excise Duty / CVD at rates, as per present rules, and in the event of any variation in rates, rules and / or method of assessment of Excise Duty / CVD, the prices will be adjusted accordingly.

Warranty

All our listed Products carry a warranty, against manufacturing defects for a period of 12 months from the date of invoicing subject to it's usages in normal recommended operating conditions. The company liability shall be limited to exchange or repair of the product, at our discretion, provided that such defective products are returned to nearest Branch office.

Customer Care Contact

Single stop Customer Support for all service needs, please contact:

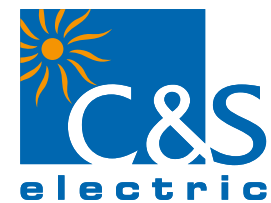
Customer Care Department

C&S Electric Ltd.

Low Voltage Components Division
222, Okhla Industrial Estate, Phase - III, New Delhi - 110 020
Phone: +91-11-3088 7498 Fax: +91-11-26484 8241
E-mail: customercare@cselectric.co.in
Website: www.cselectric.co.in

C&S Electric Ltd.

Corporate Office : 222, Okhla Industrial Estate, New Delhi - 110 020
Tel. : +91-11-3088 7520 - 29, Fax: +91-11-2684 7154, 2682 9063
International Business Division: Tel. : +91-11-4161 3503, 3088 7520-29, Fax: +91-11-2683 8291, 2684 7342
email : exports@cselectric.co.in
Central Marketing Office: Tel. : +91-11-3088 7520-29, Fax: +91-11-2684 8241, 2684 7342
email : cmo@cselectric.co.in, info@cselectric.co.in



Off-load Changeover Switch
Switch Fuse Unit : Rewirable

Off-load Changeover Switch



For safe and reliable transfer of power from main source to another and vice versa The Change Over Switches are in sheet steel enclosure, side operated with three position I-O-II.

Technical Data

- Range : 32, 63, 100, 200, 315, 400A
- No. of Poles : 4
- Rated Voltage : 415V, 50Hz
- Utilization Category : AC22A
- Conforms to IEC 60947 / IS 13947 - 1 & 3

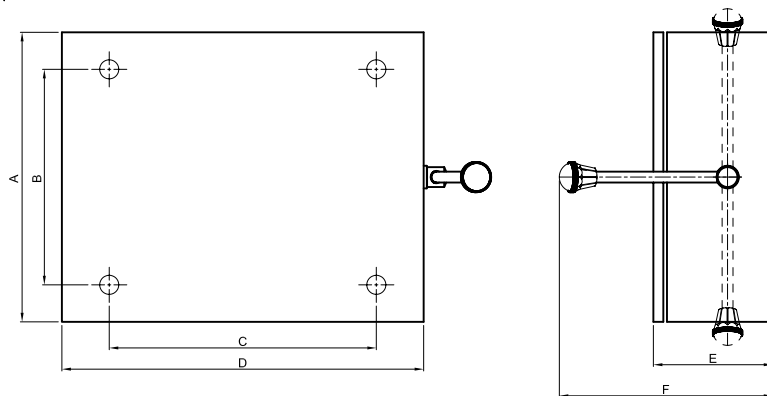
Features:

- Side handle operated switches suitable for Off Load applications
- Enclosed fabricated steel sheet with phosphate coating by seven tank system
- Powder coated to give lasting surface protection
- Door interlock is provided to ensure that door can not be opened in "ON " position
- Moving current carrying parts are made of ETP Copper with Silver plating for increased contact life and to ensure low temperature rise at rated current
- Sufficient space for termination of Copper & Aluminum cables
- DMC Terminal blocks are provided for Cable termination with excellent Thermal & Dielectric properties
- Provided with adequate Knock Outs for cable entry and inner mounting holes for easy installation



Product Code	Rating	Pole	Rated Voltage	MRP ₹
CSCSOF32CO4	32A	4	415 V	2450
CSCSOF63CO4	63A	4	415 V	5000
CSCSOF100CO4	100A	4	415 V	9900
CSCSOF200CO4	200A	4	415 V	15010
CSCSOF315CO4	315A	4	415 V	19300
CSCSOF400CO4	400A	4	415 V	POR

Dimensions



Rating	A	B	C	D	E	F	Size of knockout
32A	217	173	166	210	100	160	Ø30
63A	320	255	210	271	130	237	Ø38
100A	320	255	340	400	132	237	Ø38
200A	495	390	322	422	234	324	Ø38
315A	495	390	322	422	234	324	Ø38

All Dimensions are in mm

Switch Fuse Unit : Rewirable



C&S Electric introduce a complete range of Switch Fuse Units are designed to suit power distribution applications. The Switch Fuse units are suitable for utilisation category AC-22A.

Technical Data

- Range: 16-32A, SPN/DP (240V, 50Hz)
32, 63, 100, 200A, TP/TPN (415V, 50Hz)
- Utilization Category AC22A
- Conforms to IEC 60947 / IS 13947 - 1 & 3

Features

- Front / side handle operation
- Suitable for surface mounting
- Enclosed fabricated steel sheet with phosphate coating by seven tank system
- Powder coated to give lasting surface protection
- Provided with adequate Knock Outs for cable entry and inner mounting holes for easy installation
- Moving Contacts are made of silver-plated electrolytic copper
- The Fixed contacts are provided with removable shield



Switch Fuse Unit: Rewirable TPN with Side Handle

Product Code	Rating	Pole	Rated Voltage	MRP ₹
CSRW32P3NS	32A	TPN	415V	1890
CSRW63P3NS	63A	TPN	415V	3930
CSRW100P3NS	100A	TPN	415V	7400
CSRW200P3NS	200A	TPN	415V	11800

Switch Fuse Unit: Rewirable SPN/DP with Side Handle

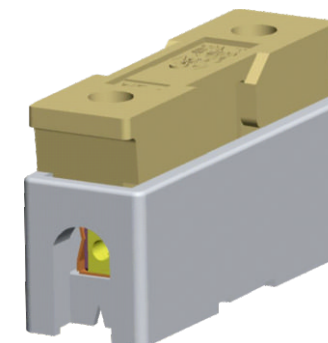
Product Code	Rating	Pole	Rated Voltage	MRP ₹
CSRW16P1NS	16A	SPN	240 V	475
CSRW32P1NS	32A	SPN	240 V	1175
CSRW16P2S	16A	DP	240 V	493
CSRW32P2S	32A	DP	240 V	1265

Switch Fuse Unit: Rewirable TPN with Front Handle

Product Code	Rating	Pole	Rated Voltage	MRP ₹
CSRW32P3NF	32A	TPN	415V	2190
CSRW63P3NF	63A	TPN	415V	4230
CSRW100P3NF	100A	TPN	415V	7750

Rewirable Fuse (Kit-Kat)

- Fuse base & Fuse carrier are made of high grade porcelain
- These are available from 32A ~ 200A
- Rated voltage: 415V, 50Hz
- Standard: IS 2086:1993
- Provided with Cable & Busbar connection (200A)

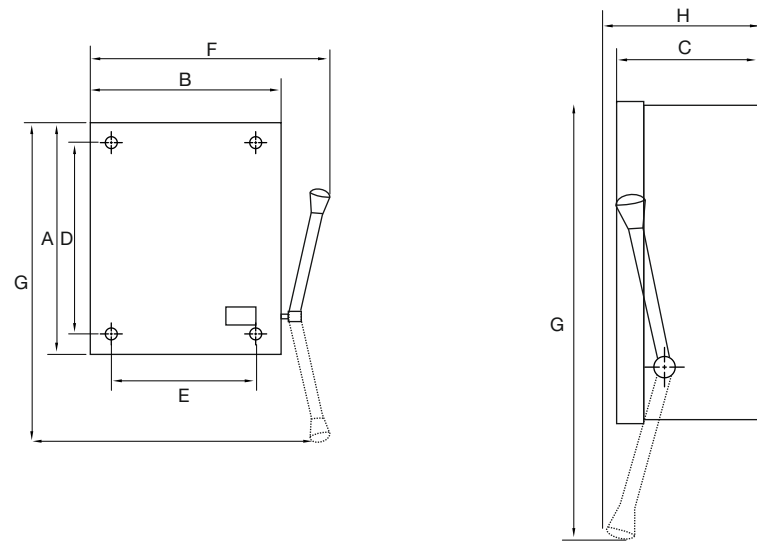


Product Code	Rated Current	Fuse Wire Size (Max.)	MRP ₹	Std. Pkg.
CSKTRW32	32A	22SWG	200	3
CSKTRW63	63A	18SWG	320	3
CSKTRW100	100A	14SWG	590	3
CSKTRW200	200A	2 X 14SWG	1190	3

Switch Fuse Unit : Rewirable

Dimensions - Side Handle TPN

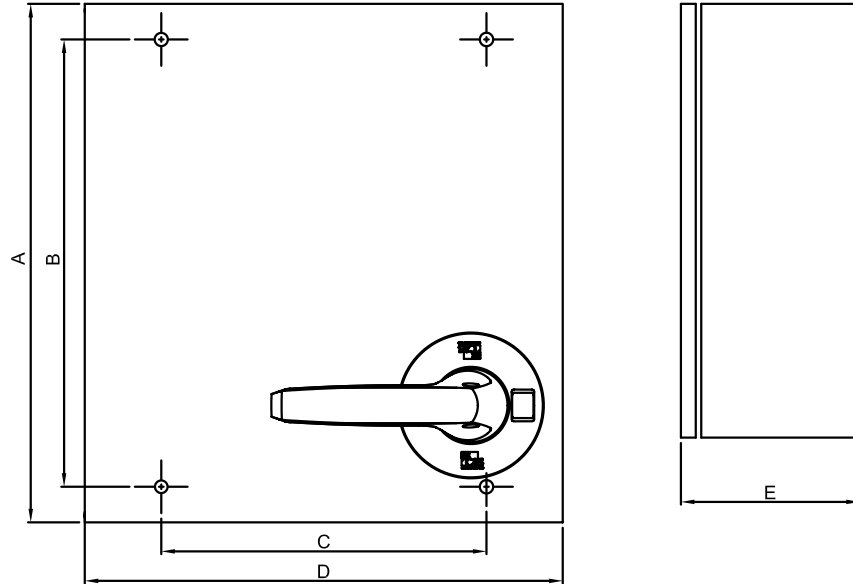
CSRW32P3NS
CSRW63P3NS
CSRW100P3NS
CSRW200P3NS



Rating	A	B	C	D	E	F	G	H	Size of knockout
32A	255	235	102	220	160	286	262	138	ø30
63A	307	280	117	260	205	358	337	221	ø30
100A	352	325	120	294	230	400	379	211	ø30
200A	555	315	175	470	228	380	570	255	ø31

Dimensions - Front Handle TPN

CSRW32P3NF
CSRW63P3NF
CSRW100P3NF
CSRW200P3NF



Rating	A	B	C	D	E	F	G	H	Size of knockout
32A	255	235	102	220	160	--	--	--	ø30
63A	307	280	117	260	205	--	--	--	ø30
100A	352	325	120	294	230	--	--	--	ø30
200A	0	0	0	0	0	0	0	0	ø30

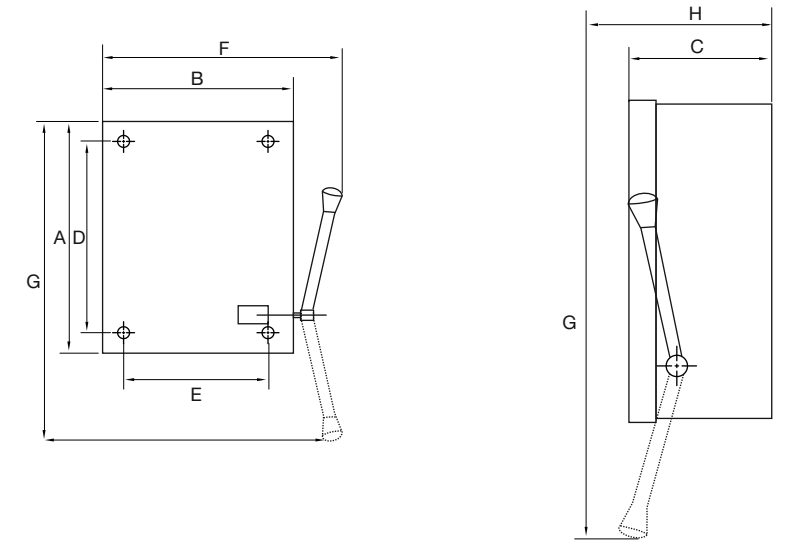
All Dimensions are in mm

M.R.P. effective from 1st March, 2013

Switch Fuse Unit : Rewirable

Dimensions - Side Handle SPN/DP

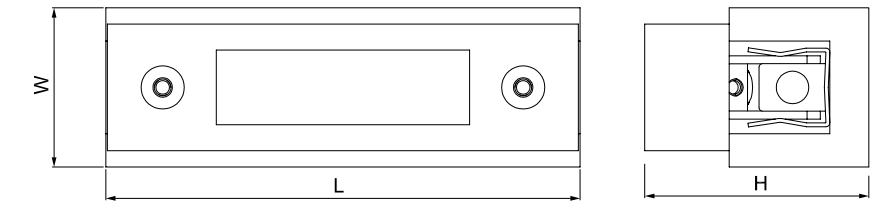
CSRW16P1NS
CSRW32P1NS
CSRW16P2S
CSRW32P2S



Rating/P	A	B	C	D	E	F	G	H	Size of knockout
16A/SPN/DP	152	104	63	110	60	126	180	77	Ø19
32A/SPN/DP	229	148	81	165	85	184	280	105	Ø25

Dimensions - Kit-Kat Fuses

22SWG
18SWG
14SWG
2 X 14SWG



Rating	L	W	H
32A	109	37	61.5
63A	104	42	67
100A	146	49	69
200A	192	62	116

All Dimensions are in mm

M.R.P. effective from 1st March, 2013